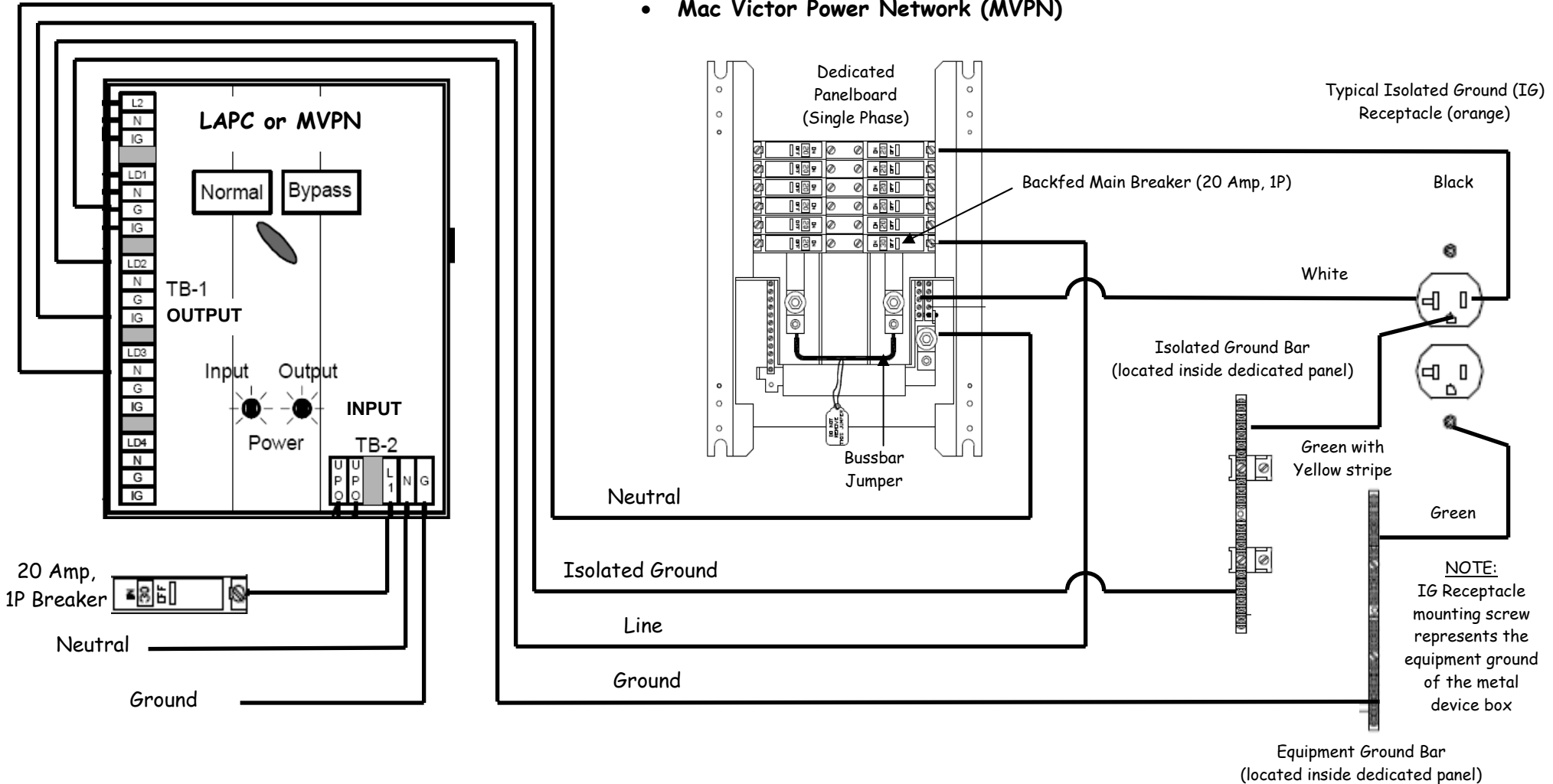


Dedicated Panelboard application:

2/2/06

- Local Area Power Center (LAPC)
- Mac Victor Power Network (MVPN)



Application Notes:

- LAPC / MVPN is a separately derived system which provides the termination point for isolated ground conductors at the Neutral / Ground Bond
- LAPC / MVPN creates a newly derived Neutral at the transformer secondary which is bonded to Ground for re-establishing the Ground reference
- Circuit Breaker feeding LAPC / MVPN should be a single pole, 20 Amp rated breaker
- Circuit Breaker feeding Dedicated Panelboard from LAPC / MVPN should be a single pole, 20 Amp rated breaker. Bussbar jumper on lugs must be added
- Circuit Breakers feeding Isolated Ground (IG) receptacles from Dedicated Panelboard should be single pole, 15 Amp or 20 Amp rated breakers
- Solid line conductors are field wiring and should be #12 AWG.